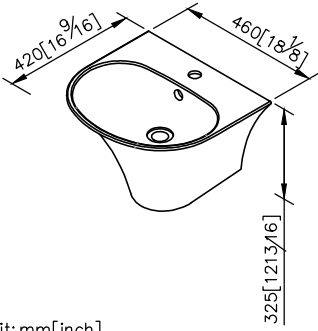


Wall-Hung Ceramic Basin
6515-F2-8000

1. Material of Basin: Ceramic.
2. Size: 460*420*325mm.
3. Material of holder: Stainless Steel SUS 304.
4. Loading of Bracket: 120 kgf.
5. Single faucet hole.



unit: mm[inch]

